



## HBL14W33 -- Elastogrip Series Plug



2P3W, 20A 125V, 5-20P, Yellow Elastomer, Watertight

### Product Specifications

<b>Product Type</b>	 <p><b>Plugs</b></p>
<b>Body Style</b>	Straight
<b>Standard</b>	NEMA
<b>Amperage</b>	20A
<b>Voltage</b>	125V
<b>Poles and Wires</b>	2 Pole, 3 Wire Grounding
<b>Hospital Grade ?</b>	No
<b>Plug/Connector Grade</b>	Elastogrip
<b>Enhancement</b>	Water Tight
<b>Color</b>	 <p><b>Yellow</b></p>
<b>NEMA No.</b>	5-20P
<b>Horsepower</b>	1
<b>Cord Dia.</b>	.300"-.655" (7.6-16.6)

<b>Description</b>	Straight Blade Plug
<b>Type</b>	2 Pole, 3 Wire, Grounding
<b>Rating</b>	20A,125V
<b>Certification</b>	UL Listed to UL498 File E1706, CSA Certified to C22.2 No. 42 File 280
<b>IP Suitability</b>	IP55
<b>Housing Material</b>	PVC-Yellow
<b>Blade Holder Material</b>	Nylon-Natural
<b>Retainer Material</b>	Polycarbonate-Clear
<b>Cord Clamp Material</b>	Nylon-Yellow
<b>Contact Blades Material</b>	.060" (1.5) Brass
<b>Ground Contact Blade Material</b>	.040" (1.0) Copper Alloy
<b>Terminal Screw Material</b>	#8-32 Brass /Ni plated for neutral
<b>Ground Screw Material</b>	#8-32 Brass, Multiple Drive (Green)
<b>Wire Clamps Material</b>	.062" (1.8) Steel-nickel finish
<b>Dielectric Voltage</b>	Withstands 2,000V minimum.
<b>Current Interrupting</b>	Certified for current interrupting at full rated current.
<b>Temperature Rise</b>	Max 30°C temperature rise at full rated current after 50 cycles of overload at 150% of rated current at a power factor of 75%..
<b>Terminal Identification</b>	Terminals identified in accordance with UL498 (Brass, White, Green).
<b>Terminal Accommodation</b>	#14-#10 AWG copper stranded or solid conductor only.
<b>Product Identification</b>	Ratings are a permanent part of the device.
<b>Flammability</b>	UL 94 HB or better.
<b>Operating Temperatures</b>	Maximum continuous 75°C, minimum -40°C (w/o impact).
<b>M Drawings</b>	<a href="#">Click here for M-Drawing</a>
<b>Catalog Page</b>	<a href="#">Click here for catalog page A18</a>
<b>Brochures</b>	<a href="#">Click here for product brochure</a>
<b>Catalog Section</b>	<a href="#">Click here for Section-A</a>
<b>UPC Number</b>	78358501332
<b>Weight in LBs</b>	0.2

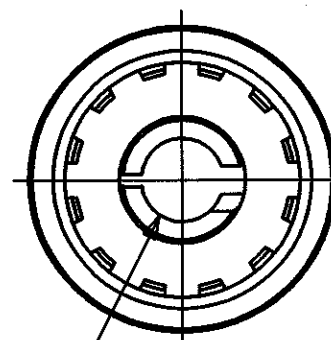
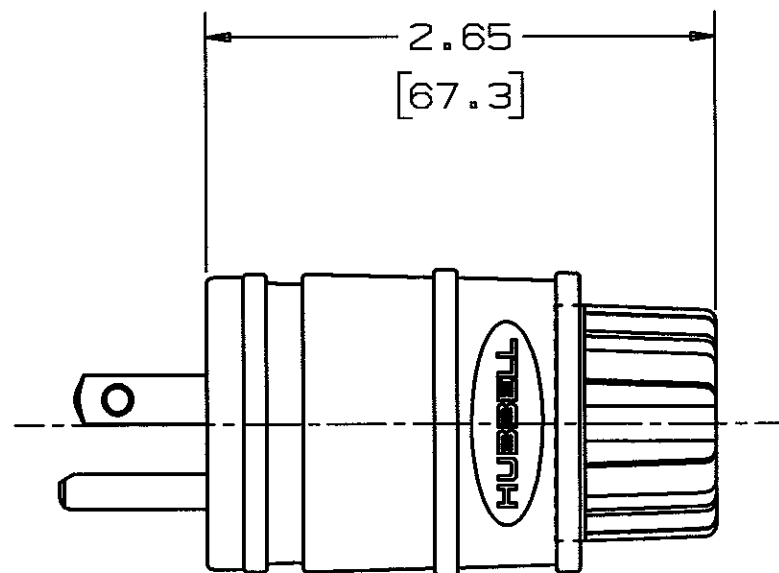
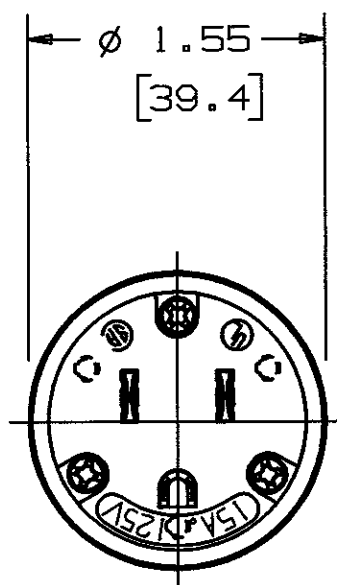


NEMA 5-20P  
**20A 125V**  
UL CSA  
1 HP

NEMA  
Configuration



M-6399 2



CABLE CLAMP TAKES  
CABLES FROM .300 TO .655  
[7.6] [16.6]

CAT. NO.	CONFIGURATION	RATING
HBL14W47	NEMA 5-15P NON-LOCKING	15A.125V
HBL14W33	NEMA 5-20P NON-LOCKING	20A.125V
HBL24W47	NEMA L5-15P LOCKING	15A.125V

NOTES: (UNLESS OTHERWISE SPECIFIED)

1) DIMENSION FORMAT IS: INCHES  
[ mm ]

2) DIMENSIONS SHOWN ON THIS DRAWING ARE  
NOMINAL VALUES FOR GENERAL USE ONLY.  
ACTUAL PART TOLERANCES MUST BE  
OBTAINED FROM HUBBELL ENGINEERING.

LIST OF PARTS

DESCRIPTION	MATERIAL	FINISH
BLADE HOLDER	NYLON	NATURAL
RETAINER	LEXAN	AMBER
CONTACT BLADES	.060 BRASS	*
GR. CONTACT BLADE	.040 BRASS	
BINDING SCREWS	BRASS	*
GR HEX HD BIND'G SCR	BRASS	GREEN
WIRE CLAMPS	.062 STEEL	ZINC PLATE
SPACER	NYLON	NATURAL
GLAND	NEOPRENE	GRAY
NUT	NYLON	YELLOW
OUTER SLEEVE	VINYL	YELLOW

\* WHITE FINISH ON NEUTRAL

SUPERSEDES DRAWING  
DATED 5-2-84

2 ADDED DUAL DIMENSIONS;  
"HBL24W47" WAS "24W47";  
ADDED NOTES 1 & 2; "SEE  
TABLE" WAS "SEE CHART";  
PER DCN #8682.  
JMN

T.C.M.  
1/3/02

1 REDRAWN WITH CHANGES;  
ADDED "HBL" TO 14W47  
& 14W33; REMOVED "TURN  
& PULL" FROM L.H. VIEW;  
PER DCN #7037. JMN

6/9/00

SYM REVISIONS APP DATE

THE DESIGN AND DIMENSIONS OF THE  
PRODUCT SHOWN ON THIS DRAWING ARE  
SUBJECT TO CHANGE WITHOUT NOTICE

TITLE  
2 POLE 3 WIRE WATERTIGHT  
ELASROMERIC PLUGS

TOLERANCES UNLESS OTHERWISE SPECIFIED	WIRING DEVICE-KELLEMS HUBBELL INCORPORATED BRIDGEPORT, CT	
	DR. BY A.Z.	APP. BY J.N.C.
	TR. BY J.M.N.	SCALE 1:1
	CHK'D BY	DATE 6/9/00

DIMENSION SHEET FOR CAT. NO. SEE TABLE

REPAIRABLE

NON-REPAIRABLE

B

M-6399

2

## Straight Blade Devices

### 2 Pole, 3 Wire Grounding

15 and 20 Ampere, 125 Volts

### ELASTOGRIP® Plugs and Connector Bodies



### IP20 and IP55

SUITABILITY



NEMA 5-15P  
15A 125V  
UL CSA  
0.5 HP



NEMA 5-20P  
20A 125V  
UL CSA  
1 HP

### Elastogrip Plugs

Description	Cord Dia.	Catalog Numbers
Yellow elastomer, dust tight.	.300"-.655" (7.6-16.6)	<b>HBL1447 HBL1433</b>
Yellow elastomer, watertight.	.300"-.655" (7.6-16.6)	<b>HBL14W47* HBL14W33*</b>

Note: Horsepower ratings listed are AC only.

\*Watertight plugs IP55 suitability when installed and used properly with mating Elastogrip watertight connector bodies.

### IP20 and IP55

SUITABILITY



NEMA 5-15R  
15A 125V  
UL CSA



NEMA 5-20R  
20A 125V  
UL CSA

### Elastogrip Connector Bodies

Description	Cord Dia.	Catalog Numbers
Yellow elastomer, dust tight.	.300"-.655" (7.6-16.6)	<b>HBL1547 HBL1533</b>
Yellow elastomer, watertight.	.300"-.655" (7.6-16.6)	<b>HBL15W47* HBL15W33*</b>

Notes: Connector bodies are not HP rated.

\*Watertight connectors IP55 suitability when closure plug inserted or when installed and used properly with mating Elastogrip watertight plug.